

CONSANI CLAMSHELL BUCKETS

Features:

Light weight construction.

Bucket opens wide to take a large bite And thereby fills quickly to full capacity.

Replaceable wear resistant steel cutting Edges. Pivots have long life, replaceable bushes And are equipped with grease nipples.

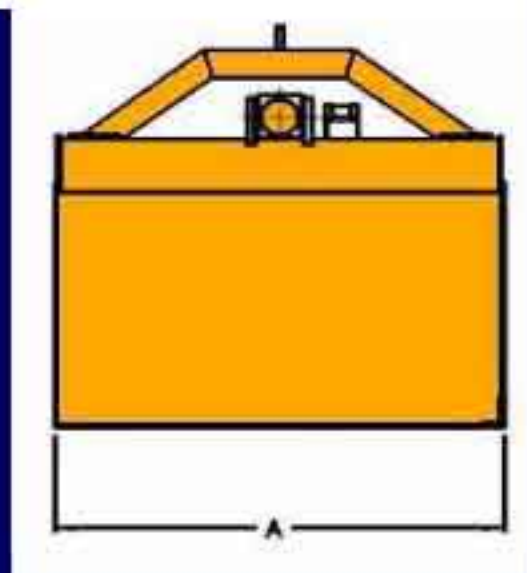
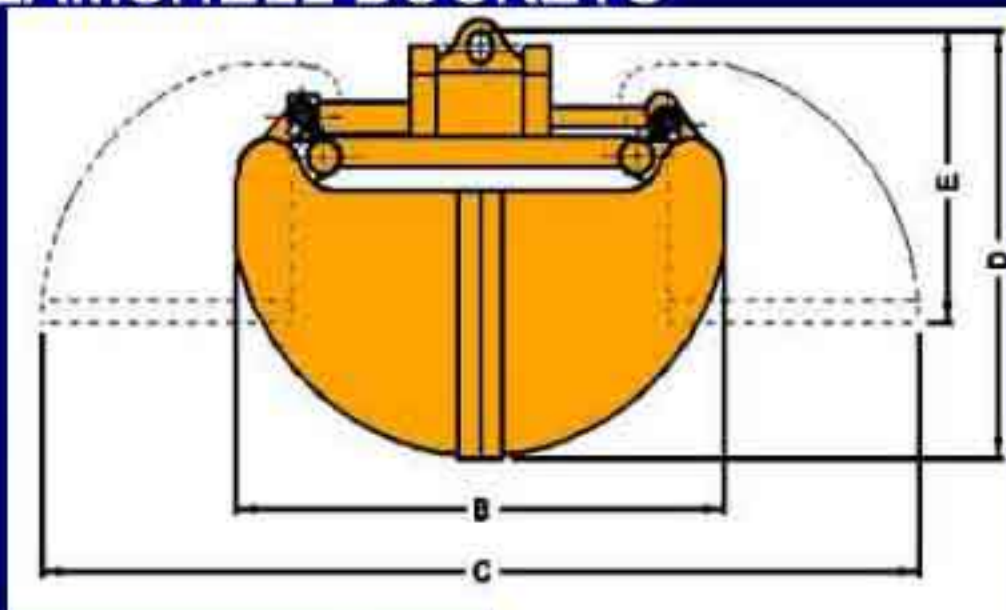
Digger teeth are available for the 350-700lt Range of buckets.

Accessories available of the shelf.

Six month guarantee on materials and Workmanship.

All parts replaceable with a complete range of spares available.

Special buckets and other sizes made to order.



SPECIFICATIONS

MODEL		CAPACITY	DIM A	DIM B	DIM C	DIM D	DIM E	APPROX MASS	WORKING PRESS	MAX FLOW RATE
		litre	mm	mm	mm	mm	mm	kg	MPa	Ltr/min
D8102-1500	MEDIUM DENSITY	1500	1516	1700	2808	1147	783	630	20	50
D792-1250	REFUSE	1250	1266	1700	2808	1147	783	570	18	50
D682-1000	LOW DENSITY	1000	1016	1700	2808	1147	783	520	16	50
D320-700	STD	700	1012	1220	2240	1060	650	370	20	26
D100-500	STD	500	1012	1130	2050	960	650	252	20	26
D210-350	STD	350	712	1130	2050	960	660	220	20	26
D441-250	SMALL RANGE	250	588	1025	1778	863	526	163	20	26
D451-200W	SMALL RANGE	200	588	924	1668	808	526	150	20	26
D561-200N	SMALL RANGE	200	460	1025	1778	863	526	144	20	26
D571-150	SMALL RANGE	150	460	924	1668	808	526	143	20	26